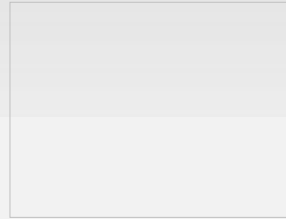


:: HF01 series High Frequency Slip Rings

Features

HF01 slip rings are 1 channel High Frequency, standard, off-the-shelf. It could support 1 channel High Frequencies (up to 18GHz) transmitting on 360° rotating. The RF rotary joints are needed wherever high-frequency signals have to be transmitted between a fixed platform and second platform in continuous rotation. Such applications include traditional radar technology for air traffic control or anti-missile defence, medical engineering, V-sat and Satcom technology as well as TV camera systems or cable drums that allow sensitive cable to be wound. The signal frequency can be DC TO 40GHz. HF01 are often used with electronic sliprings, call optical-electrical hybrid slipring, transmit power and high speed data.



HF01 series Slip Rings

[Online Chat](#)

Options (On your request)

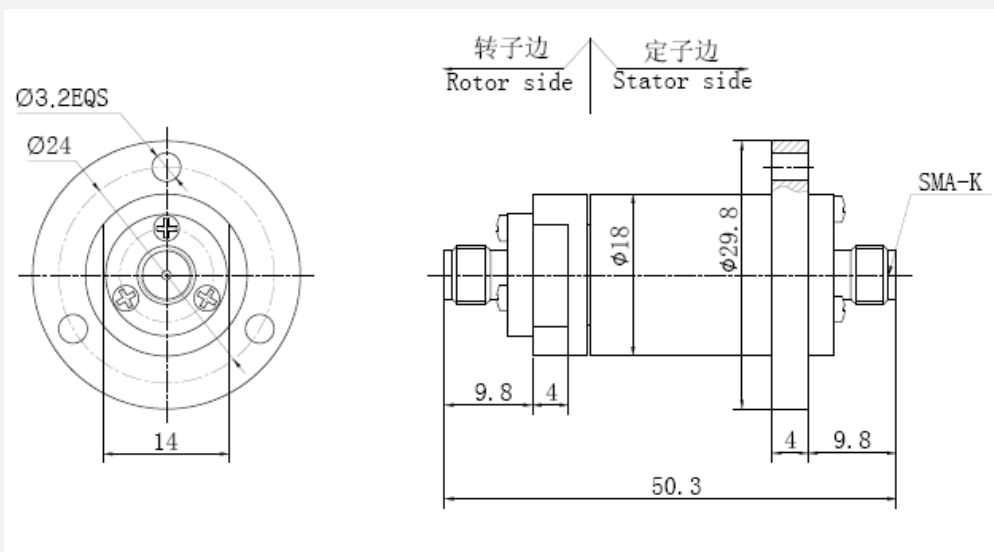
Combine with Power circuits and signal circuits

Parts#	Connector Type
HF01-SMA	SMA
HF01-N	N-type

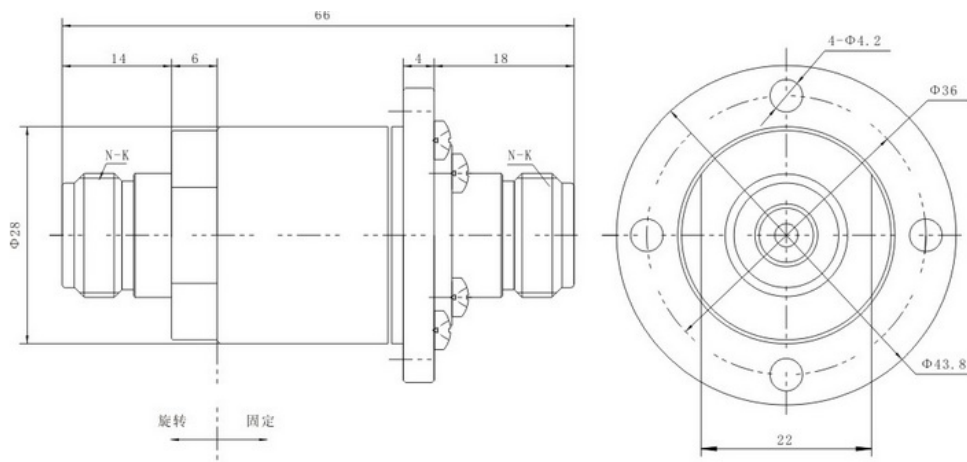
(RF Rotary joints) Specifications

Max speed	60RPM	Torque	0.1N.m
Frequency	DC~18GHz	Insertion loss	0.3dB
Insertion loss ripple	0.05dB	VSWR	≤1.3
VSWR ripple	0.05	Start up torque	0.1N.m
Estimated life cycle	100 million	Housing materia	Stainless steel
Working temperature	-40 to 85 °C	Storage temperature	-50 to 85 °C
IP rating	IP 51	Weight	50g

HF01-SMA Drawings



HF01-N Drawings



Typical applications

Industrial machinery-machining centers, rotary index table Heavy equipment turrets, cable reels, test equipments Packaging machines, palletizing machines, magnetic clutch, process equipment Rotary sensors, emergency lighting, robotics Exhibit/display equipment, medical equipment

Customized on your request

If you don't see what you want in this website, let us know; we may already have it designed or we will modify a design to meet your requirements. In many cases the specifications in the catalog can be changed to include bore size, circuits number, higher current/voltage, flange, lead wire length, shielding, connectors, higher speed, IP68, military grade, higher temperature, mixed with pneumatic/hydraulic capability. Please ask if you don't see exactly what you need as only a small fraction of our Rion slip rings are included in this catalog!

For a detailed outline drawing/3D modal files of a specific model number, or to request a quotation, please contact your local sales representative or send an email to sales@rionsr.com